

CMX882

80 kV 2.0 mA X-Ray Source



■ General Description:

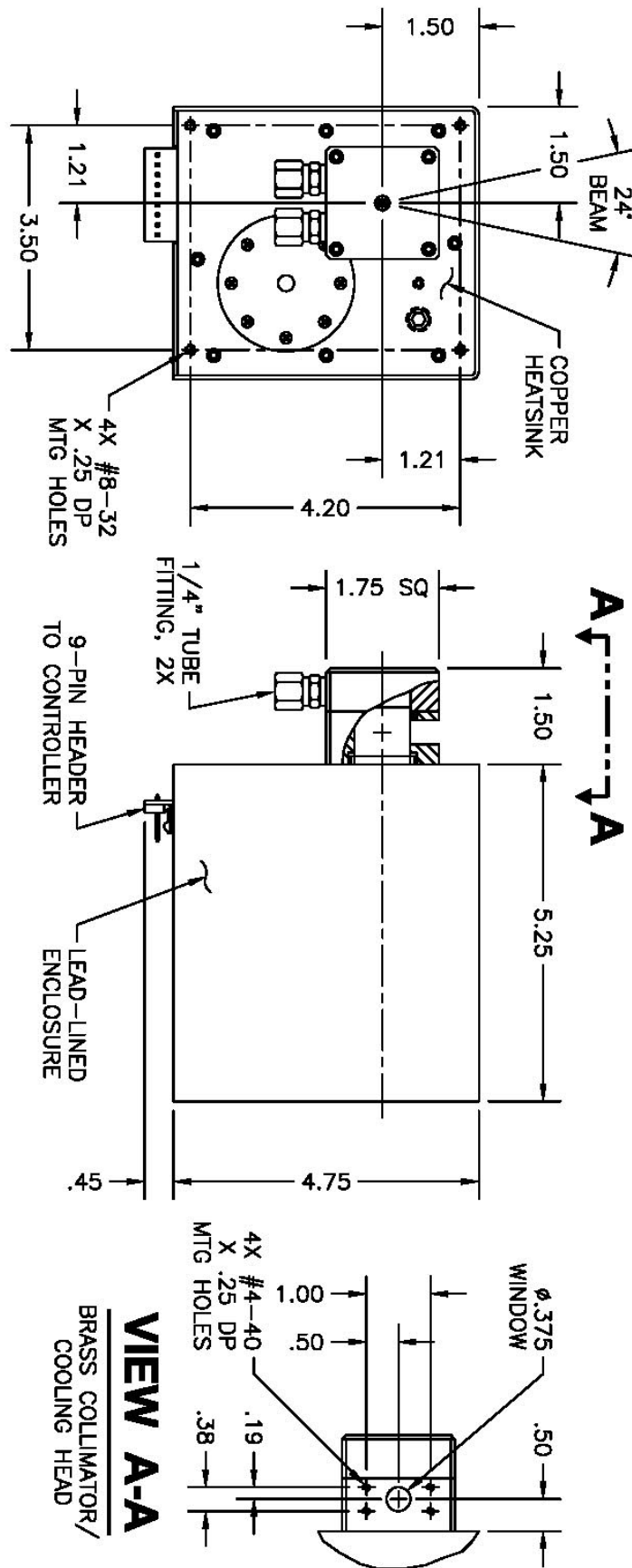
160 watts continuous duty cycle allows this source to perform food inspection and metal density measurements. 24 volts DC input.

Characteristics:

Target Voltage	20 – 80 kV
Maximum Power	160 W
Maximum Target Current	2.0 mA
Focal Spot Size	.8 x 1 mm
Beam Angle	24 degree
Operation	Continuous
Target Material	Tungsten
Window Material	Titanium
Window Thickness	.005"
Input Voltage	24 VDC
Interlock	None
Weight	16.0 lbs
Cooling	Water via Collimator / Cooling Head

80 kV X-Ray Source

Dimensional Outline (unit: in)



24 VDC Controller

Dimensional Outline (unit: in)

